

Potable X-ray unit
XD2000
(FUJIFILM CALNEO Xair)

Product specifications

* Available only in Japan

Configuration

Standard configuration

Product name : FUJIFILM CALNEO Xair

(1) Portable X-ray unit : XD2000 PX

(2) AC cable

Accessories

(1) Portable X-ray unit : XD2000 PX

- Shoulder strap, tape measure, AC adaptor, short strap, XD2000 PX operation manual

(2) Support frame : XD2000 ST

- XD2000 ST manual

(3) Support frame : XD2000 ST-M

- XD2000 ST-M manual

(4) Support frame : XD2000 ST-S

- XD2000 ST-S manual

Specifications

X-ray unit

- Output power : 450W (90 kV, 5 mA)
- Nominal maximum power : 450 W (90 kV, 5 mA, 0.1s)
- Maximum tube voltage : 90kV
- Tube voltage range : 50~90 kV 2 kV step
- Accuracy of tube voltage : $\pm 10\%$
- Tube current : 5mA (fixed)
- Exposure time range : 0.04~0.5 sec
- mAs range :
0.20, 0.25, 0.32, 0.40, 0.50, 0.63, 0.80, 1.00, 1.25, 1.60, 2.00, 2.50 mAs
- Accuracy of mAs : 0.20~2.50mAs error $\pm (10\% + 0.2\text{mAs})$
- Available total mAs per hour : 100 mAs (90 kV)
- Maximum load of shot number : 200 shot/h (90kV 0.5mAs 18sec. cycle)
- Nominal focal spot : 0.8ec.
- Target angle : 16°
- Anode type : Fixed anode
- Heat unit of X-ray tube : 7.0 kJ
- Leakage dose : 0.14mGy/h (@1m from focal spot)
* Exposure condition 90kV, 100mAs/h
- Maximum irradiation field : 47 cm \times 47 cm (@100 cm from focal spot) JIS Z 4122
- Irradiation field :

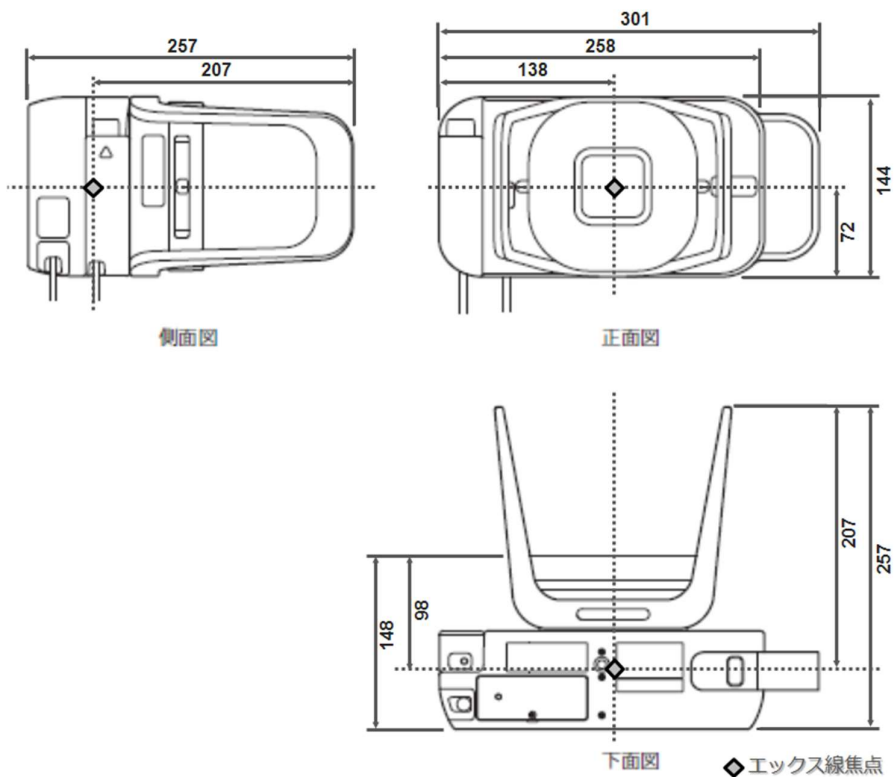
	0~47 cm × 0~47 cm(SID 100 cm)
	<ul style="list-style-type: none"> ● Illuminance of light field: more than 120 lx (SID 100 cm) ● Lighting time of light field: 30 sec.1
Total filtration	More than 2.5mmAl equivalent (70kV)
Processing ability	<p>(1) Start-up time :less than 120sec.</p> <p>(2) Minimum cycle time :8sec.</p> <p>(3) Charging time Full charge from the empty: 4.5h</p> <p>(4) Available number of shots 100 shots</p> <ul style="list-style-type: none"> * More than 4.5 hours charged with new battery * Exposure condition 90kV、0.5mAs * Time of lighting 10sec. * Interval of the shots 60sec.
EMC	<ul style="list-style-type: none"> ● IEC60601-1-2:2007 ● Class B
Environmental condition	<p>(1) Operation Temperature: 15°C~30°C Humidity : 15~80%RH(without condensation) Atmospheric pressure : 700hpa~1,060hPa</p> <p>(2) Storage/Transport Temperature: -10°C~50°C Humidity: 10~90%RH(without condensation) Atmospheric pressure: 700~1,060hPa</p>

Size and weight

X-ray unit

	Width (mm)	Depth (mm)	Height (mm)	Weight (kg)
XD2000 PX	301	257	144	3.5

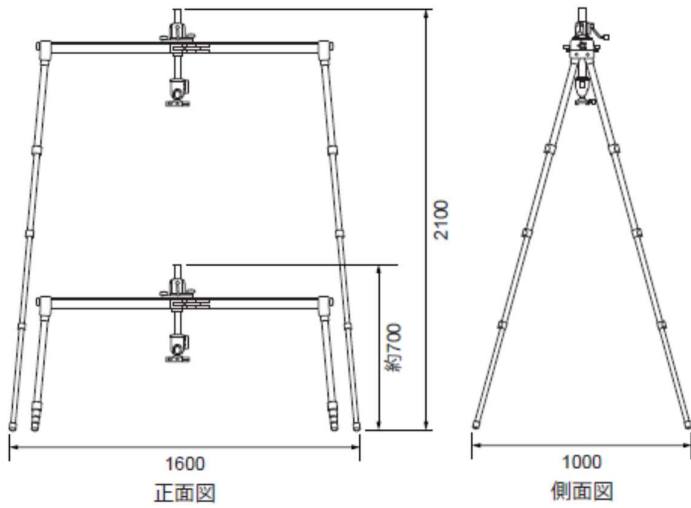
※Error ±10%



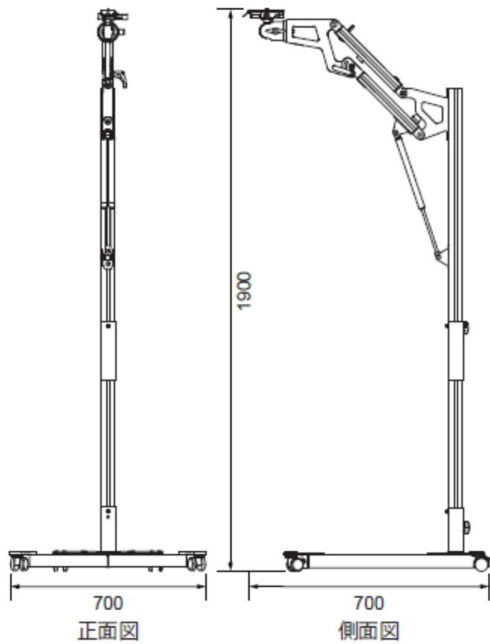
Support frame

	Width (less than mm)	Depth (less than mm)	Height (less than mm)	Weight (kg)
XD2000 ST	1000	1600	2100	Approx. 7.6
XD2000 ST-M	700	700	1900	Approx. 11.5
XD2000 ST-S	800	950	1600	Approx. 2.8

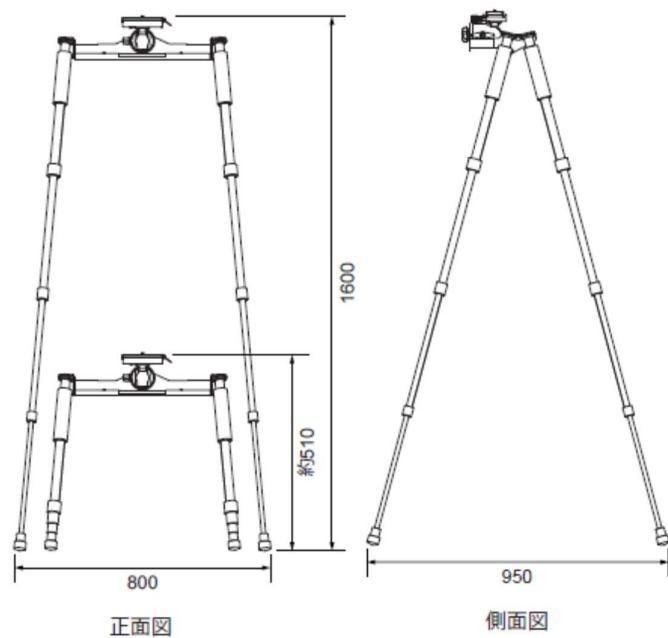
XD2000 ST



XD2000 ST-M



XD2000 ST-S

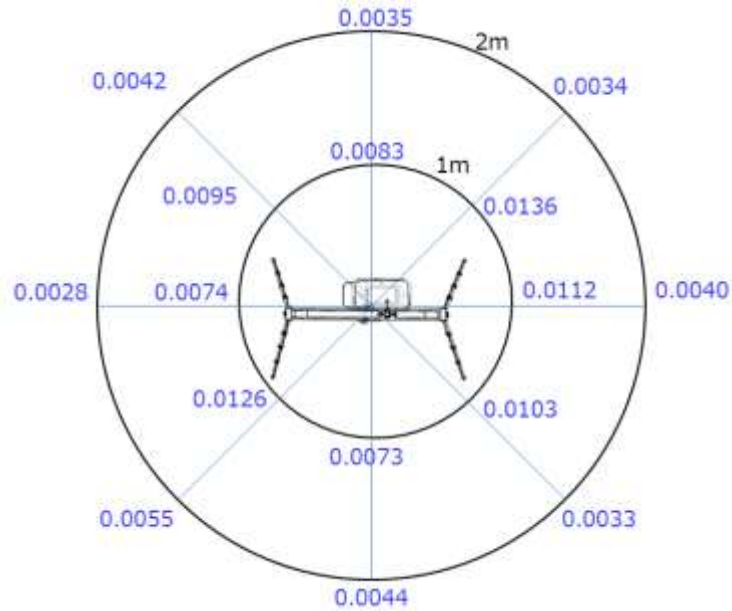


【Reference】

CONFIDENTIAL

X-ray generator Scatter X-ray dose distribution map

TYPE : XD2000 PX

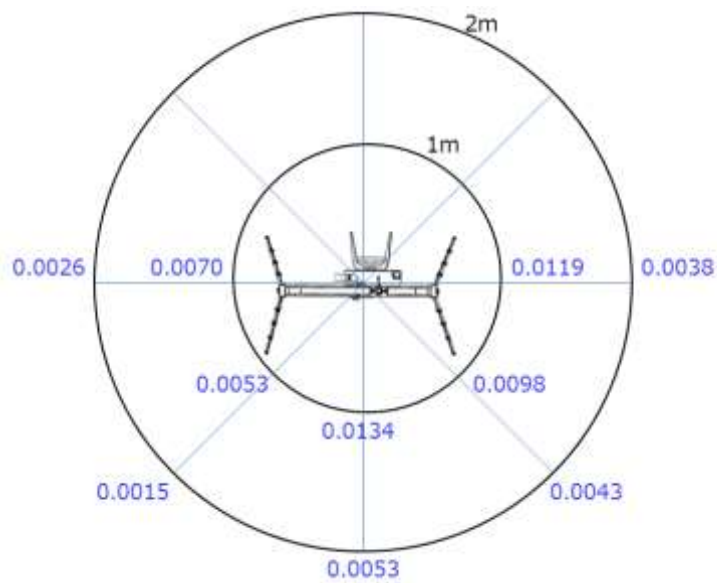


unit : μSv

X-ray perpendicular to the ground

Measured height from the ground : 350mm

Exposure conditions 90kV 2.5mAs



unit : μSv

X-ray parallel to the ground

Measured height from the ground : 600mm

Exposure conditions 90kV 2.5mAs